

# CSE

## AIR BREATHERS WITH SPIN-ON CARTRIDGE

### MATERIALS

Adaptor:  
zinc plated steel

Basket:  
zinc plated steel

Cartridge can:  
steel

Filter media:  
CC = Cellulose  
FD = Inorganic fiber

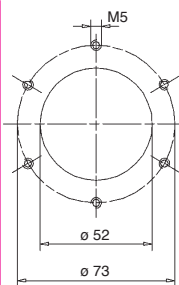
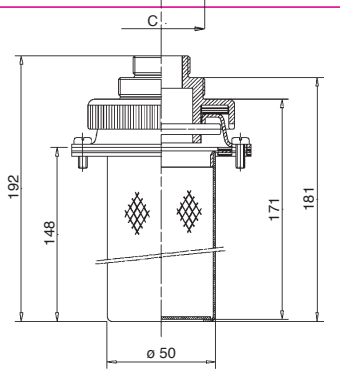
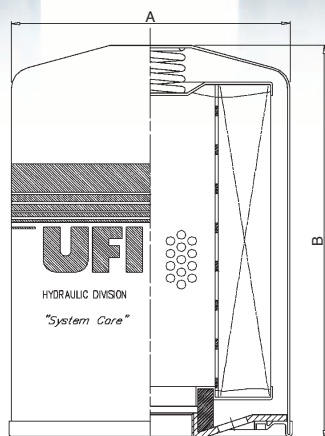
Filtration degree (in air): 3µm

### COMPATIBILITY

Full with fluids HH - HL - HM - HR - HV - HG (according to ISO 6743/4). For fluids different than the above mentioned, please contact our Sales Department.

### WORKING TEMPERATURE

From -25°C to 110°C



tank connection:  
DIN 24557/2

Without can

CODE:  
012.0053.2



Is this datasheet the latest release? Please check on our website.



Technical data subject to variations without prior notice. CSE - EN - 03/2011

### DIMENSIONS

Cellulose = CC Inorganic fiber = FD		Flow rate (l/min)	A	B	C
CSE11SWC	<input type="checkbox"/> <input type="checkbox"/>	1.800	96	146	3/4" BSP
CSE12SWC	<input type="checkbox"/> <input type="checkbox"/>	1.800	96	191	3/4" BSP
CSE21SWC	<input type="checkbox"/> <input type="checkbox"/>	2.800	129	181	1 1/4" BSP
CSE22SWC	<input type="checkbox"/> <input type="checkbox"/>	2.800	129	226	1 1/4" BSP

### ORDERING AND OPTION CHART

<b>C TYPE</b>					<b>ELEMENT</b>				<b>A</b>		
C = ACCESSORY PRODUCT					C	C	C	C			
<b>S E</b>	<b>FAMILY, SIZE &amp; LENGTH</b>							<b>FAMILY, SIZE &amp; LENGTH</b>			
					11	12	21	22			
<b>S</b>	<b>CONNECTION TYPE</b>										
	S = standard flange				S	S	S	S			
<b>W</b>	<b>PRESSURIZATION VALVE</b>										
	W = without				W	W	W	W			
<b>C</b>	<b>SEALS</b>							<b>SEALS</b>			
	C = sugheroil (flange type)							C	C	C	C
	<b>FILTER MEDIA</b>				<b>FILTER MEDIA</b>						
	FD = glassfiber				FD	FD	FD	FD	FD = glassfiber		
	CC = cellulose				CC	CC	CC	CC	CC = cellulose		