

CFA

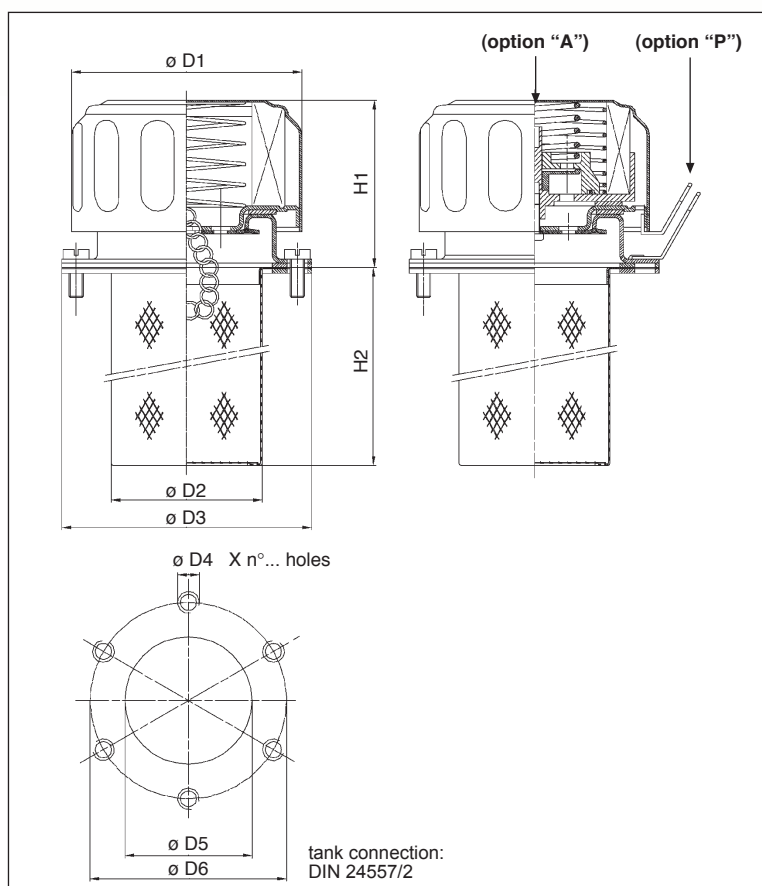
FILLING BREATHERS



Filling plugs with inbuilt air breather; flanged tank connection with standard dimensions; protection basket against ingress of coarse parts (removable for CFA23); zinc plated steel body and chrome plated steel cap; seals by cork (Buna N - Nitrile for pressurized version only).

Air filter element (not replaceable):
cellulose 3µm
polyurathan 10µm

For sizes CFA21 & CFA22 only the plug has a safety chain.



Is this datasheet the latest release? Please check on our website.



DIMENSIONS

	Filtr. µm	Flow rate (l/min)	D1	D2	D3	D4	holes n°	D5	D6	H1	H2
CFA11SWCCC	3	150	47	29	52	M5	3	31	41	48	64
CFA11SWCPE	10	300	47	29	52	M5	3	31	41	48	64
CFA21SWCCC	3	450	80	50	83	M5	6	52	73	57	78
CFA21SWCPE	10	750	80	50	83	M5	6	52	73	57	78
CFA22SWCCC	3	450	80	50	83	M5	6	52	73	57	148
CFA22SWCPE	10	750	80	50	83	M5	6	52	73	57	148
CFA23SWCCC	3	450	80	40	83	M5	6	42	73	57	100
CFA23SWCPE	10	750	80	40	83	M5	6	42	73	57	100

ORDERING AND OPTION CHART

C TYPE				
C = ACCESSORY PRODUCT				
F A	FAMILY, SIZE & LENGTH			
	11	21	22	23
S MOUNTING PATTERN				
S = DIN 24557/2 flange				
PRESSURIZATION VALVE				
W = without				
A = 0,35 bar				
SEALS				
C = sugheroil				
N = NBR Nitrile (with A option only)				
FILTER MEDIA				
CC = cellulose				
PE = polyurathan foam				
ACCESSORIES				
P = padlock holder				