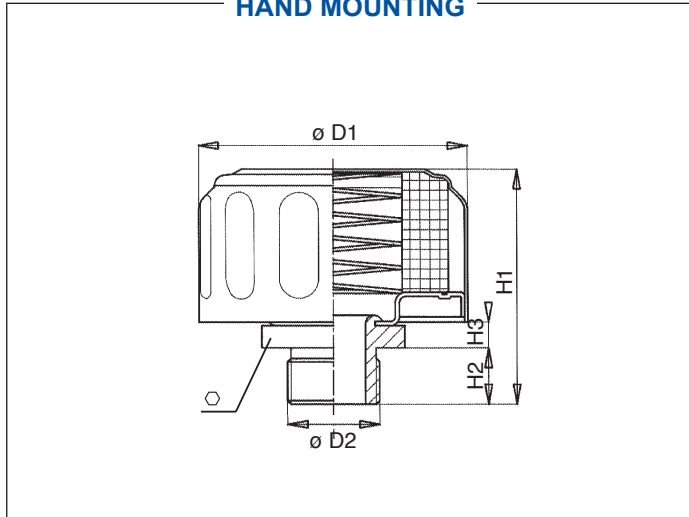




**SERIES CBA
HAND MOUNTING**



DIMENSIONS								
	Filtr. μm	Flow rate (l/min)	D1	D2	\varnothing	H1	H2	H3
CBA11B02CC	3	150	47	1/4" BSP	19	45	12	7
CBA11B02PE	10	300	47	1/4" BSP	19	45	12	7
CBA21B06CC	3	450	76	3/4" BSP	35	66	16	7
CBA21B06PE	10	750	76	3/4" BSP	35	66	16	7

ORDERING AND OPTION CHART

C TYPE			
C = ACCESSORY PRODUCT		C	C
B A	FAMILY, SIZE & LENGTH	11	21
B	CONNECTION TYPE		
B = BSP thread		B	B
	CONNECTION SIZE		
02 = 1/4"		02	-
06 = 3/4"		-	06
	FILTER MEDIA		
CC = cellulose		CC	CC
PE = polyurathan foam		PE	PE



CBA
AIR BREATHERS

SERIES CBA

HAND MOUNTING

Air breathers with threaded connection, zinc plated body and chrome plated cap.

Air filter element (not replaceable):
cellulose 3 μm
polyurathan 10 μm

Is this datasheet the latest release? Please check on our website.

